

# Rotating cleaning nozzle MicroWhirly Series 566



## Features:

- Cleaning with effective flat fan jets
- Robust slide bearing made of PEEK
- Connection via thread or slip-on connection



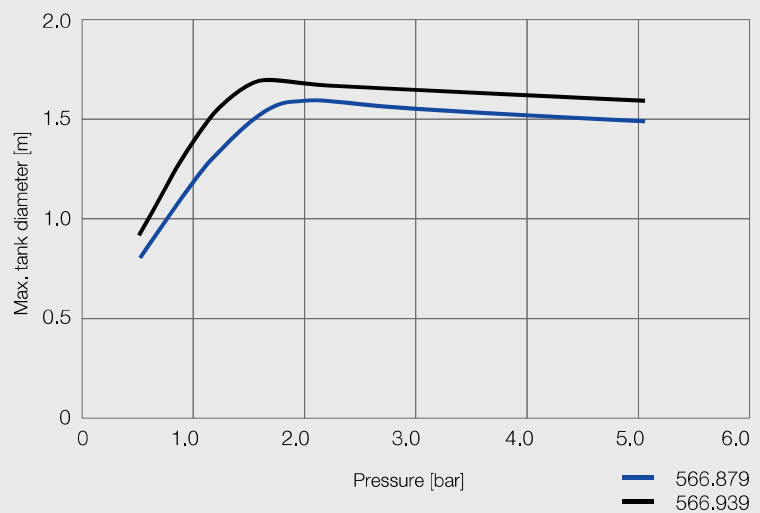
Function video  
[www.lechler.com/de-en/medialibrary/videos-general-industry](http://www.lechler.com/de-en/medialibrary/videos-general-industry)  
 Or scan the QR code.

Series 566

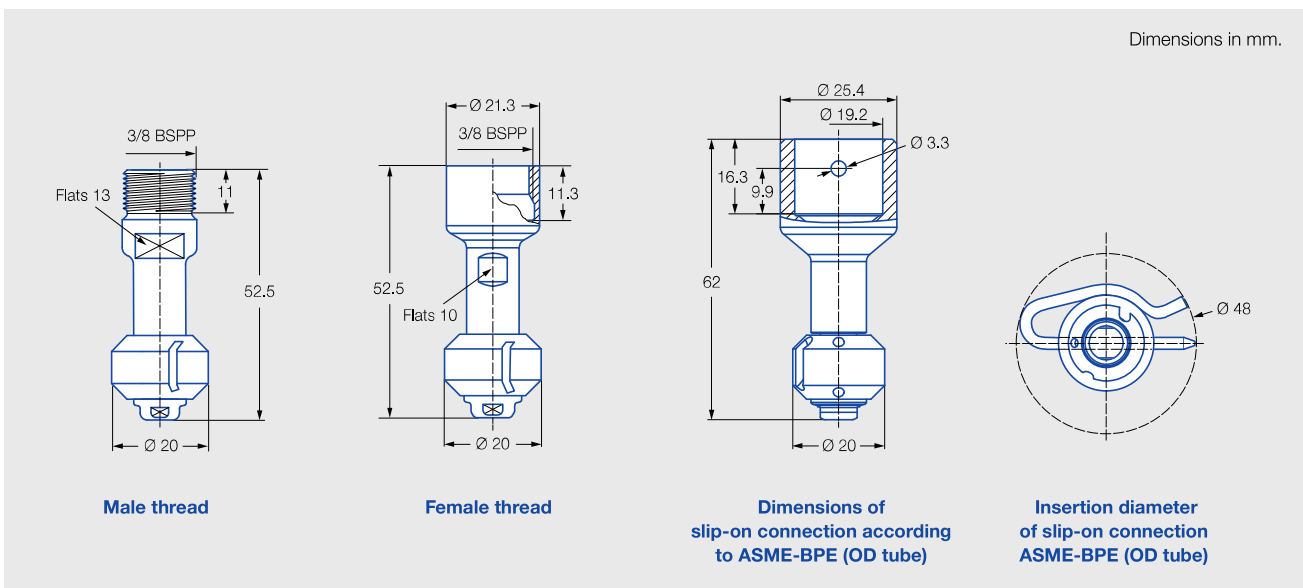
## Technical data:

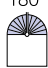


<b>Maximum operating temperature</b> 150 °C 90 °C (ATEX)	<b>Maximum ambient temperature</b> 200 °C 120 °C (ATEX)	<b>Installation</b> Operation in every installation position	<b>Bearing</b> Slide bearing made of PEEK
<b>Material</b> Stainless steel 1.4404 (316L), PEEK ESD (only ATEX version)	<b>Weight</b> 50–200 g	<b>Surface quality</b> Ra ≤ 1,6 µm <small>OUTSIDE</small>	<b>Surface quality</b> Ra ≤ 1,6 µm <small>INSIDE</small>
<b>Steam suitability</b> Suitable	<b>Insertion diameter</b> 20–48 mm	<b>Recommended filter</b> Line strainer with a mesh size of 0.3 mm/50 mesh	<b>Recommended operating pressure</b> 2 bar

**Max. tank diameter**  
 The specified maximum tank diameter applies to the recommended operating pressure and is indicative only. The type of soiling is also decisive for the cleaning result.



Overview of maximum tank diameter depending on pressure



Spray angle	Ordering no.				Narrowest cross-section $\varnothing$ [mm]	$\dot{V}$ water [l/min]			$\dot{V}$ water at 2 bar [m <sup>3</sup> /h]	Max. tank diameter [m]
	Type	Connection				p [bar] (p <sub>max</sub> = 6 bar)				
		3/8 BSPP male	3/8 BSPP female	3/4" slip-on connection		1.0	2.0	3.0		
180° 	566.873.1Y	AE	AF	TF07	1.0	12	15	18	0.9	1.6
	566.933.1Y	AE	AF	TF07	2.4	15	21	26	1.3	1.7
180° 	566.874.1Y	AE	AF	TF07	1.0	12	15	18	0.9	1.6
	566.934.1Y	AE	AF	TF07	2.4	15	21	26	1.3	1.7
360° 	566.879.1Y	AE	AF	TF07	1.0	12	15	18	0.9	1.6
	566.939.1Y	AE	AF	TF07	2.4	15	21	26	1.3	1.7

NPT threads and weld-on version on request.

#### Information on operation

Compressed air can be used only for a short time for blowing dry. Use above the recommended pressure will have a negative effect on the cleaning result and wear.

#### Information on slip-on connection

- Cotter pin made of stainless steel 1.4404 (316L) included (ordering no. 095.022.1Y.50.94.E).
- Depending on the adapter diameter, the flow rate may increase due to the leakage between the adapter and rotating cleaning nozzle.

#### Ordering example with FDA and (EC) 1935/2004 conformity.

All materials are suitable for contact with food.



Type + Connection = Ordering no.  
566.873.1Y + AE = 566.873.1Y.AE

#### Ordering example with ATEX approval. No FDA and (EC) 1935/2004 conformity.

##### Unit group/Category/Zones:

- Ex II 1G Ex h IIB T6...T3 Ga
- Ex II 1D Ex h IIIC T85 °C...T150 °C Da



##### Important

The code for the connection changes for the ATEX version with slip-on connection.  
Ordering example for slip-on connection: 566.873.1Y.TF.EX

Type + Connection + ATEX = Ordering no.  
566.873.1Y + AE + EX = 566.873.1Y.AE.EX